

Splitter / Combiner RFSCF388-598

Features:

- Economical
- Small & Rigid design
- High Isolation
- Low Insertion Loss

Description:

The RFSCF388-598 is a 2-way 0° Power Splitter / Combiner. The operational performance and size of this product are distinctive. This product can be used in a range of system and subsystem designs due to the excellent phase, amplitude imbalance and Low Insertion Loss.

Applications:

- Wi-Fi
- Wi-Max
- WLAN

Optional Accessories:

- SMA(M) to SMA(M) 50 Ohms cable as per User's requirement (L) (Figure. 1)

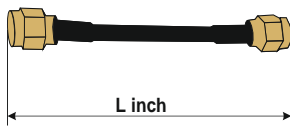


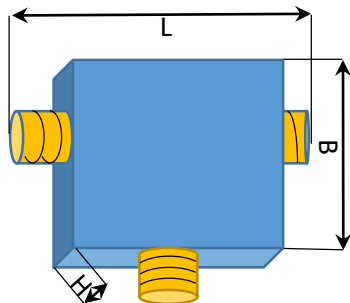
Figure 1



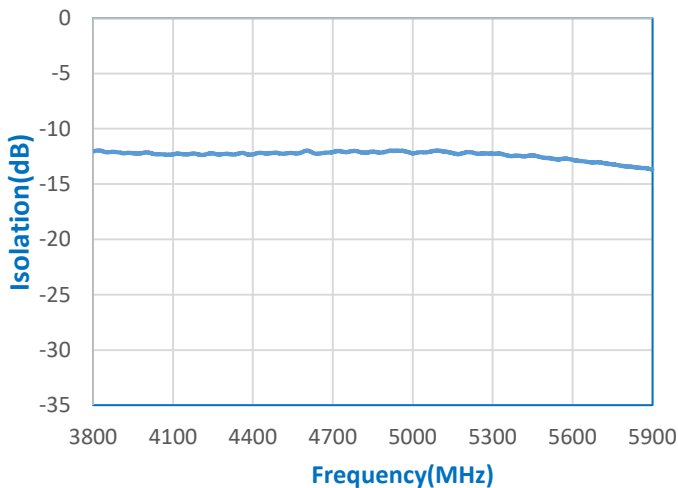
Electrical Specifications:

Frequency Range:	3.8 to 5.9 GHz
Insertion Loss:	-1.2dB Max
Input Power:	
Sum Port:	+20dB (Max.)
Port 1:	+27dB (Max.)
Port 2:	+27dB (Max)
Isolation:	Min. 11dB
Return Loss (PORT 1):	Min. 10dB
Return Loss (PORT 2):	Min. 10dB
Operating temperature:	0 °C to 50 °C
In/Out Connector:	SMA Female Flange Mount

Mechanical Specifications:

Dimension (mm):	
	(L) = 61.5 (B) = 42.9 (H) = 16.9
Shape:	Rectangular cuboidal Shape
Weight:	55 gm

FREQUENCY VS ISOLATION



FREQUENCY VS RETURN LOSS

